

4GMultiband

400006-T

Marine and Land Based Cellular 4G Multiband antenna. Tx/Rx. 150W 0dBd. N female. N239F. Packed in a tube. 3G 4G CDMA UMTS DECT LAN GSM850/900/1800/1900 Bluetooth and EDGE

4GMultiband is an omnidirectional multiband antenna covering the cellular phone network bands simultaneously with data transmission, thus improving the communication performance for e.g. 3G, 4G, CDMA, UMTS, DECT, WLAN, GSM850/900/1800/1900, Bluetooth and EDGE. The swivel nut N239F is included for installation on ISO 228/1-G1 mounts. Radiating elements are made of brass. The antenna is manufactured using crimping technology giving the antenna a 4-5 times stronger build-up. The antenna has the same rugged design as all other AC Antennas products thus it withstands harsh environmental conditions, both on Sea and Land.

Short description

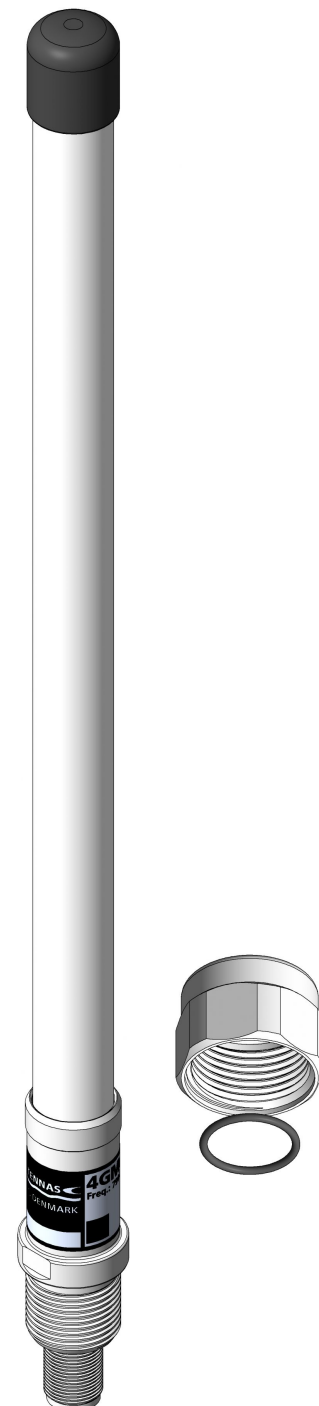
Product group	Cellular
Design	Coaxial dipole
Pattern	Omnidirectional

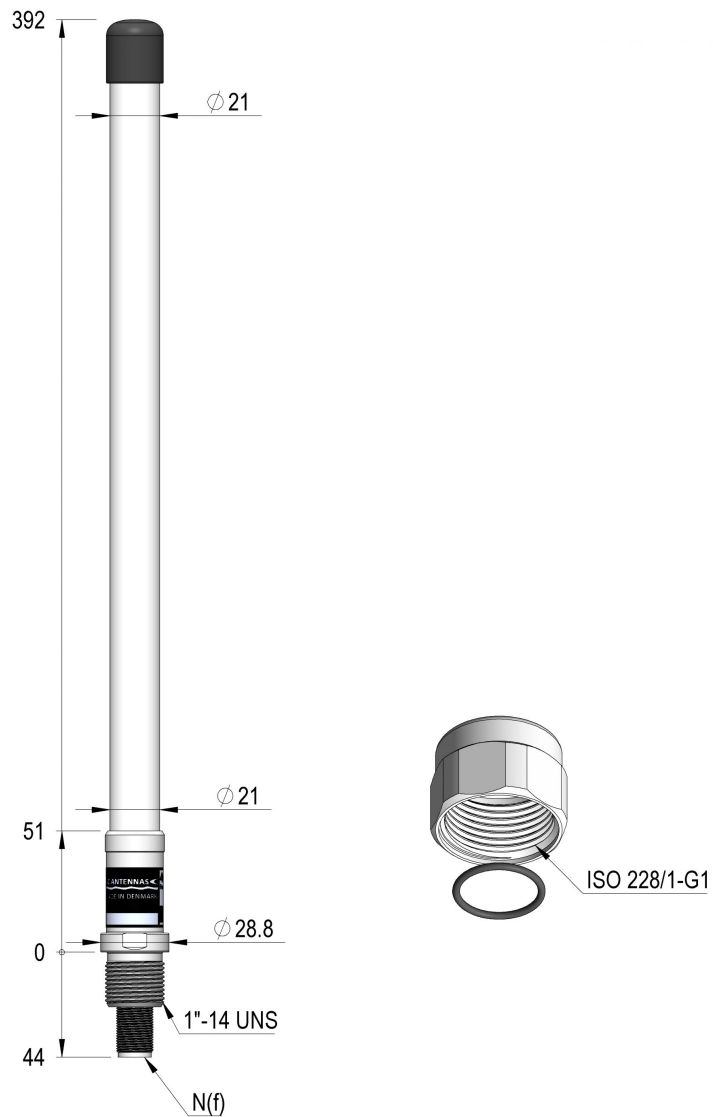
Electrical specifications

Frequency range [MHz]	A: 790-806 B: 806-960 C: 1710-2500 D: 2500-2690
Bandwidth [MHz]	A: 70 B: 154 C: 790 D: 190
Nominal Impedance [Ohm]	50
Max. Input Power [Watt]	150
Gain [dBd/dBi/Marine dB]	0 / 2.15 / 3
VSWR	A+D: <2.2:1 B+C: <2:1
Polarisation	Vertical
DC Shorted	No
DC Grounded	Yes
Connector	N-Female

Mechanical specifications

Length [m/ft]	0.44 / 1.40
Sections	1
Weight [kg/lbs]	0.30 / 0.62
Survival Wind Speed [km/h / m/s / mph]	200 / 55 / 124
Wind Area [m2/ft2]	0.0083 / 0.0894
Wind Load @ 160km/h [N]	12
Material	Fibreglass
Colour	White
Operating Temperature Range [°C/°F]	-55 to +70 / -67 to +158
Ingress Protection	IP68
Thread	1" 14TPI male / ISO 228/1-G1 female
Mounting	Mounting Nut included





VSWR

Voltage standing wave ratio is a measure of the energy lost in the coax cable/antenna connection. The figure to the right shows VSWR measurement based on the average of a significant numbers of antennas. All antennas delivered by AC Antennas are tested and the VSWR is guaranteed in the specified frequency range.

