

4G / LTE MiMo Antenna + optional WiFi and GPS

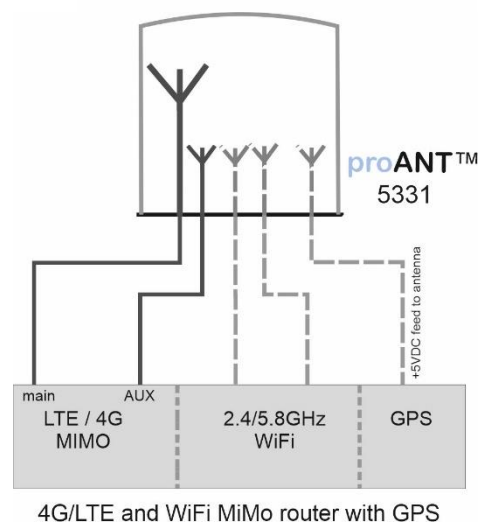
HIGHLIGHTS

- Factory configurable high performance MIMO antenna module
- Up to 2x MiMo for LTE, 4G, 3G Diversity (main, aux)
- Up to 2x MiMo for 2.4GHz/5.8GHz WiFi
- Active GNSS antenna



DESCRIPTION

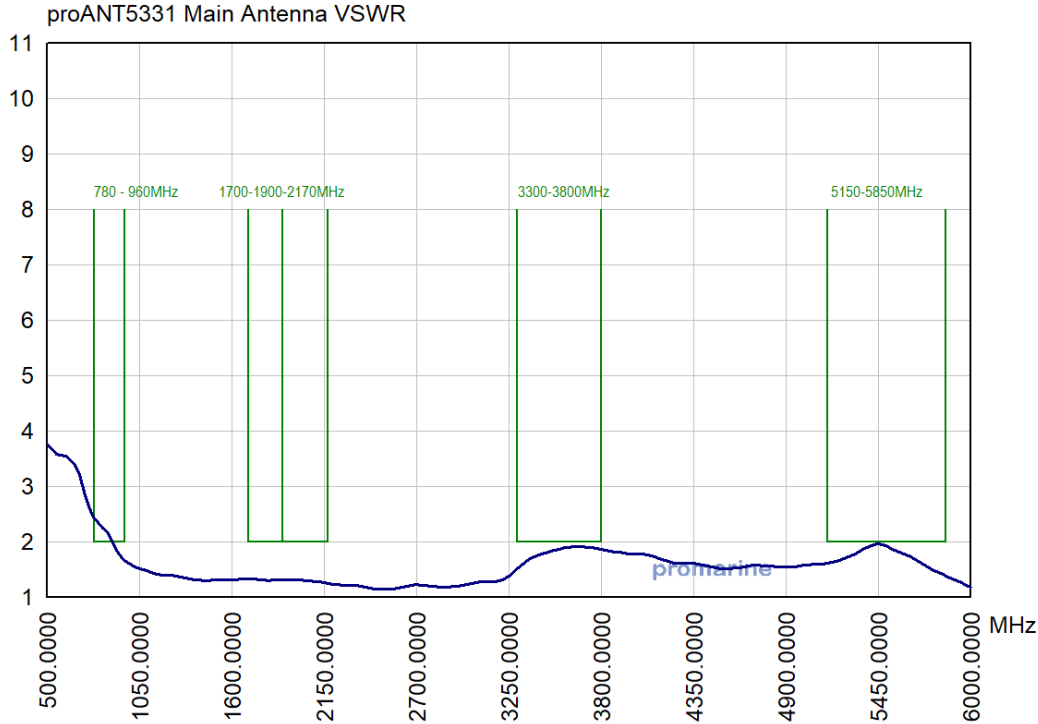
proANT5331 is high performance MiMo antenna that can include up to 5 antennas. It is an excellent option especially when space is limited. The primary LTE antenna is based on Promarine’s leading antenna design, proTAC5311, and is 5G compatible. It is possible to add up to 2 dual band WiFi antennas and GNSS antenna in addition to 2 x LTE antennas.



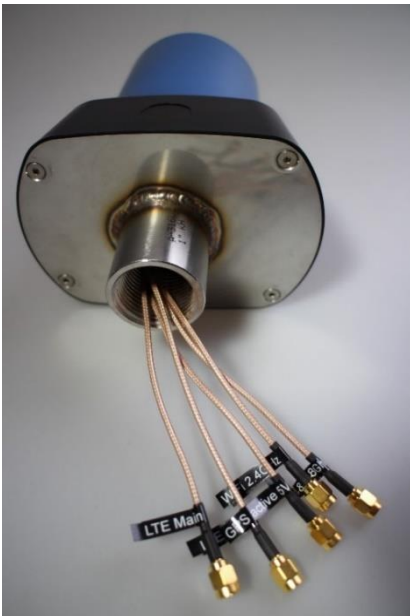
TECHNICAL SPECIFICATIONS

Model:	proANT 5331* <i>(check order code for each variant from separate list)</i>		
Type:	MIMO antenna	Environmental:	Indoors, outdoors Case IP56 shock proof
Factory options antennas		Frequency	Polarization
LTE Main antenna		790-6000MHz	Vertical polarization
LTE AUX antenna		824-2170MHz	Horizontal polarization
WiFi Main antenna		2400/5800MHz	Cross-polarized
WiFi AUX antenna		2400/5800MHz	WiFi antennas
GNSS antenna(+5VDC)		1558-1610MHz	Circular polarization
Material: Plastic cover (ASA) Stainless steel mounting plate		Mounting: BSP1"-11TPI internal thread antenna mount	
Primary antenna: Vertical polarization, omnidirectional Antenna gain 0-5dBi		Size (h*I*w): 155x140x105mm without mounting thread Height with BSP1"-11TPI mounting thread +42mm	

RADIATION PERFORMANCE



MOUNTING OPTIONS



EXAMPLE IN PICTURE ANT5331A

BSP1"-11TPI (1 ¼"-11TPI) inner thread with 2 to 5 RG316 cables and SMA-female connectors (other connector types by request)



EXAMPLE IN PICTURE ANT5331B1

BSP1"-11TPI (1 ¼"-11TPI) inner thread with N-female connectors