

## 4G / LTE MiMo Antenna with WiFi and GPS

### HIGHLIGHTS

- 2x MiMo for LTE / 4G, cross-polarized
- 2x MiMo for 2.4GHz / 5GHz WiFi
- Active GNSS antenna 1559-1610MHz

### DESCRIPTION

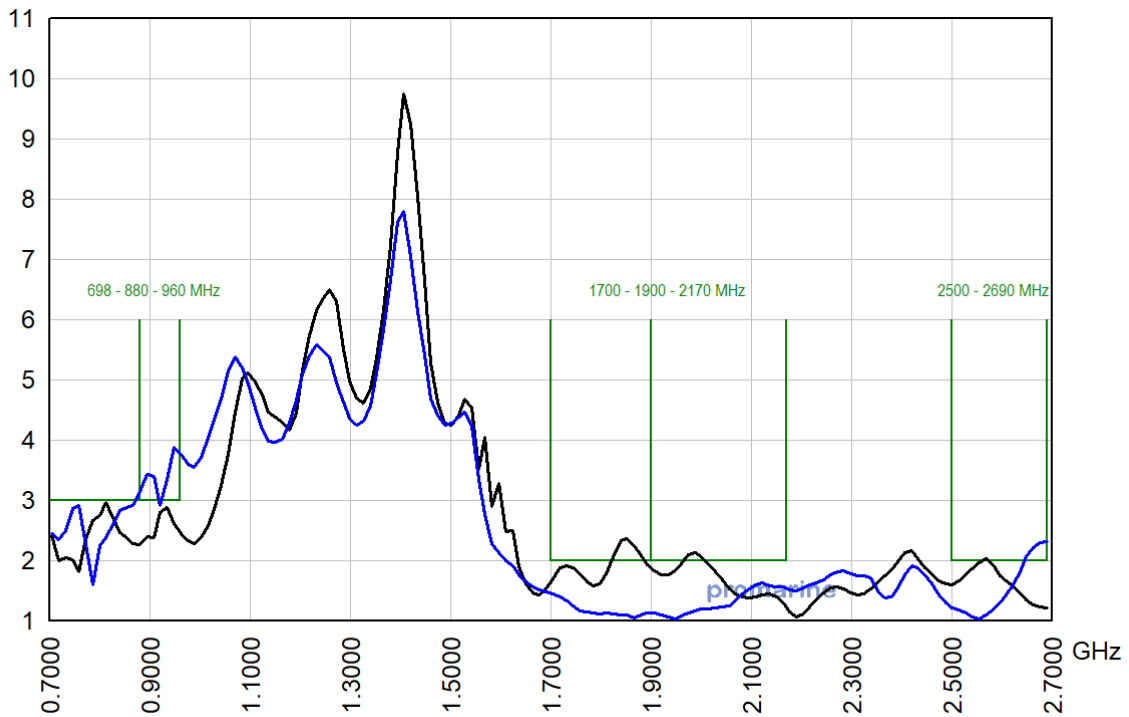
proANT5340 MiMo antenna is intended as a cost effective, all-in-one solution as outdoor antenna for one 4G router. It consists of 2 LTE elements, 2 dual band WiFi elements and an active GPS antenna. All connectors are labeled SMA plugs with male pins. Robust, all-weather proof for harsh conditions.



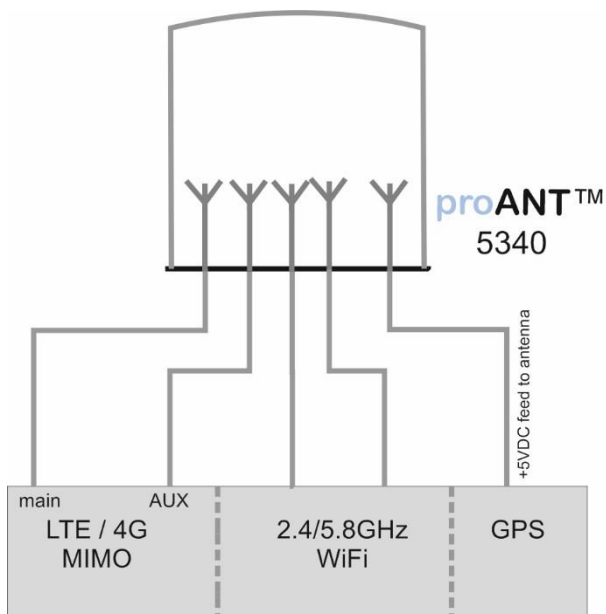
### TECHNICAL SPECIFICATIONS

<b>Model:</b>	proANT 5340	<b>Mounting:</b> BSP1"-11TPI internal thread antenna mount	
<b>Type:</b>	MIMO antenna omnidirectional	<b>Environmental:</b>	indoors, outdoor case IP67 shock proof
<b>Antenna modules</b>		<b>Frequency</b>	<b>Polarization</b>
LTE1 antenna		698MHz - 960MHz 1.7GHz - 2.7GHz	Vertical polarization
LTE2 antenna		698MHz - 960MHz 1.7GHz - 2.7GHz	Horizontal polarization
WiFi1		2.4GHz - 2.5GHz 5.15GHz - 5.85GHz	Vertical polarization
WiFi2		2.4GHz - 2.5GHz 5.15GHz - 5.85GHz	Vertical polarization
GPS antenna (+5VDC)		1559-1610MHz	Linear horizontal
<b>Material:</b> ASA plastic radome, ABS base	<b>Cables:</b> RG174 cables with SMA-male connectors		
<b>Antenna gain:</b> 1-5dBi	<b>Size (h*I*w):</b> Height 148mm, width 93mm Weight 600g		

## RADIATION PERFORMANCE



VSWR of the LTE elements. LTE1 (in black, vertical), LTE2 (in blue, horizontal)



4G/LTE and WiFi MiMo router with GPS

## Connection example