

4G / LTE MiMo Antenna with WiFi and GPS

HIGHLIGHTS

- 2x MiMo for LTE / 4G, cross-polarized
- 2x MiMo for 2.4GHz/5.8GHz WiFi
- Active GNSS antenna 1560-1610MHz

DESCRIPTION

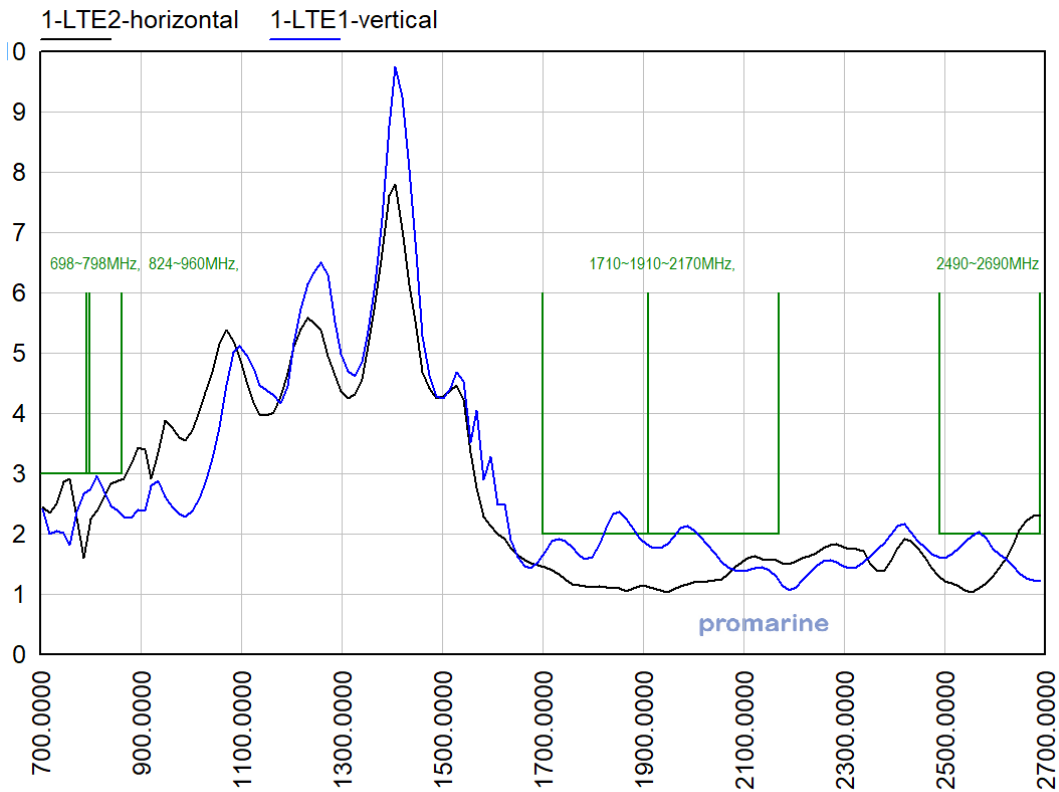
proANT5340 MiMo antenna is intended as a cost effective, all-in-one solution as outdoor antenna for one 4G router. It consists of 2 LTE elements, 2 dual band WiFi elements and an active GPS antenna. All connectors are labeled SMA plugs with male pins. Robust, all-weather proof for harsh conditions.



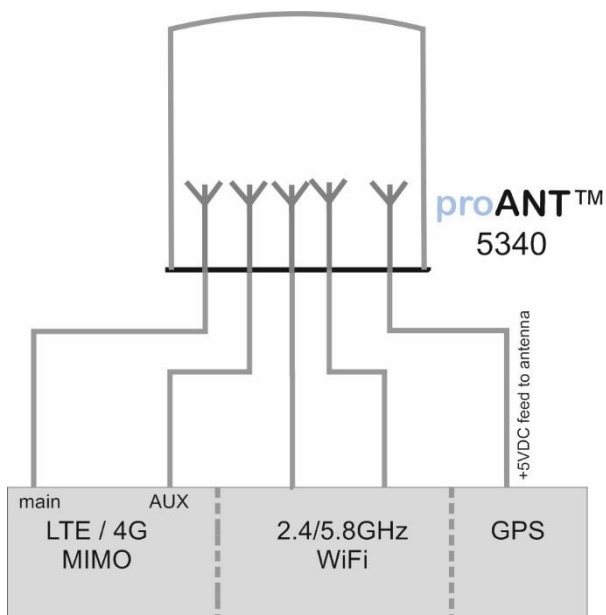
TECHNICAL SPECIFICATIONS

Model:	proANT 5340	Mounting: BSP1"-11TPI internal thread antenna mount	
Type:	MIMO antenna omnidirectional	Environmental:	indoors, outdoor case IP67 shock proof
Factory options: antenna modules		Frequency	Polarization
LTE1 antenna		698MHz - 960MHz 1.7GHz - 2.7GHz	Vertical polarization
LTE2 antenna		698MHz - 960MHz 1.7GHz - 2.7GHz	Horizontal polarization
WiFi1		2.4GHz - 2.5GHz 5.15GHz - 5.85GHz	Vertical polarization
WiFi2		2.4GHz - 2.5GHz 5.15GHz - 5.85GHz	Vertical polarization
GPS antenna (+5VDC)		1560-1610MHz	Linear horizontal
Material: ASA plastic radome, ABS base		Cables: RG174 cables with SMA-male connectors	
Antenna gain: 1-5dBi		Size (h*l*w): Height 148mm Width 93mm Weight 600g	

RADIATION PERFORMANCE



VSWR of the LTE elements. Blue = LTE1, green = LTE2



4G/LTE and WiFi MiMo router with GPS

Connection example